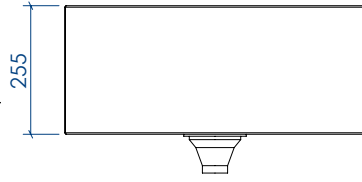
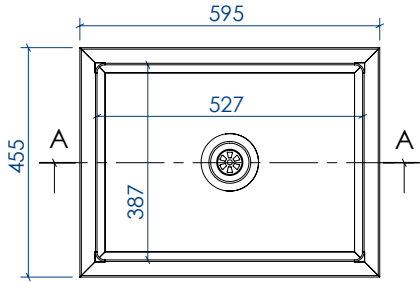
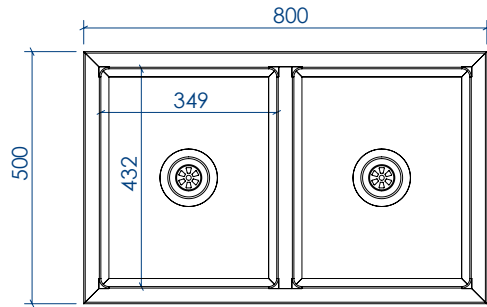


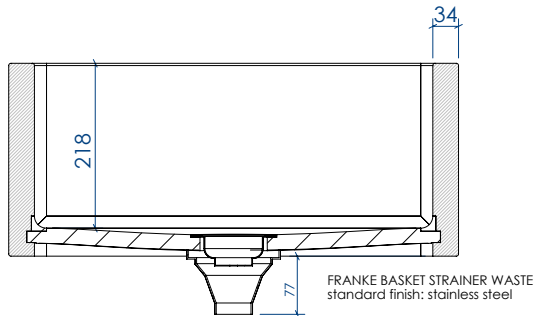
STANDARD SINGLE



BELFAST STYLE



STANDARD DOUBLE



SECTION A-A



| DIMENSIONS     | STANDARD SINGLE |           | STANDARD DOUBLE |           | BELFAST PATTERN |           |
|----------------|-----------------|-----------|-----------------|-----------|-----------------|-----------|
| length         | 595mm           | 23.5"     | 800mm           | 31.5"     | 595mm           | 23.5"     |
| width          | 500mm           | 19.5"     | 500mm           | 19.5"     | 455mm           | 18"       |
| height         | 200mm           | 8"        | 200mm           | 8"        | 255mm           | 10"       |
| bowl length    | 527mm           | 20.5"     | 349mm           | 13.5"     | 527mm           | 20.5"     |
| bowl width     | 432mm           | 17"       | 432mm           | 17"       | 387mm           | 15"       |
| bowl depth     | 163mm           | 6.5"      | 163mm           | 6.5"      | 218mm           | 8.5"      |
| wall thickness | 34mm            | 1.3"      | 34mm            | 1.3"      | 34mm            | 1.3"      |
| crated weight  | 15 kg           | 33 lbs    | 20 kg           | 44 lbs    | 16.5 kg         | 36 lbs    |
| crated size    | 70x60x35cm      | 28x24x14" | 90x60x35cm      | 36x24x14" | 70x56x40cm      | 28x22x16" |

weights and imperial conversions are approximate

*OUR TEAK SINKS CAN BE MADE TO INDIVIDUAL SIZES.....  
PLEASE CONTACT US TO DISCUSS YOUR REQUIREMENTS*

#### CONSTRUCTION

These teak sinks are constructed from a laminated teak composite and are available as a single or double bowl. A deeper version - based on the traditional Belfast pattern - is also available. The internal corners of our sinks are rounded to a radius of 16mm to facilitate cleaning. Each sink comes complete with steel fixing brackets for attaching to the underside of a worktop. Alternatively, they can be supported from below on framing or a cabinet.

#### PLUMBING CONNECTIONS

These sinks are fitted with a standard 1 1/2" Franke stainless steel basket strainer waste compatible with standard sink traps. The waste is fitted in the center of the basin.

Overflows are available but are *not* fitted as a standard item.

#### CARE & MAINTENANCE

These sinks are polished with Timbertect, a resin based sealant which sinks into the timber and fuses with it, forming an exceptionally tough layer which will not absorb stains and which is easy to clean using ordinary non-abrasive bathroom and kitchen cleaners. Products containing bleach should be avoided as they may lighten the timber unevenly. However, limescale removers can be used without the risk of damage.