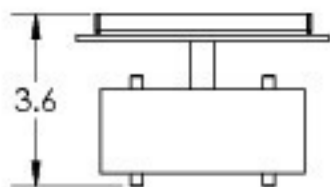


SPECIFICATION DRAWING

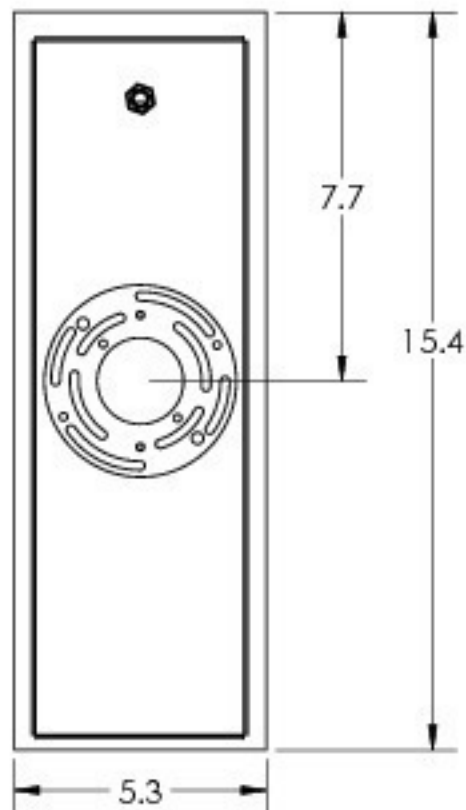
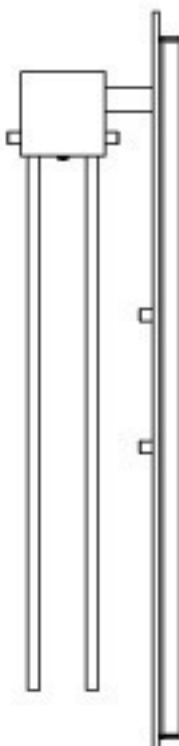
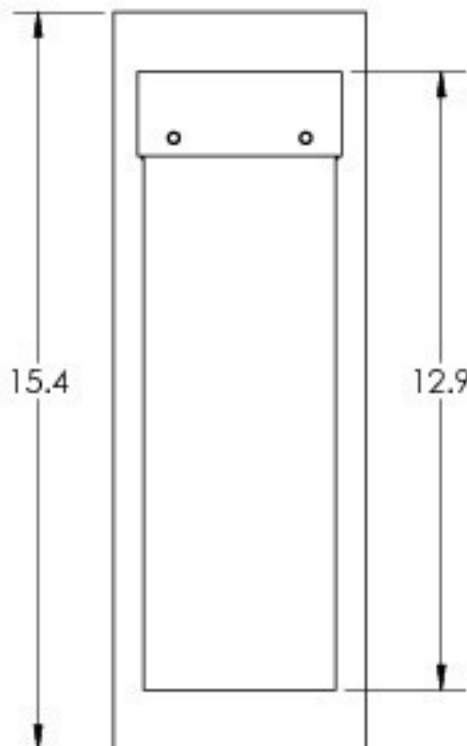
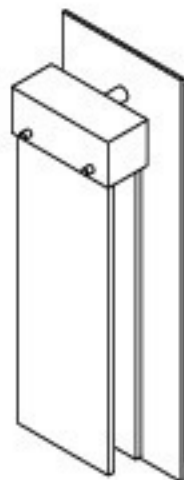
Collection: PARALLEL GLASS

Product #: IDB0042-1A



ADA COMPLIANT

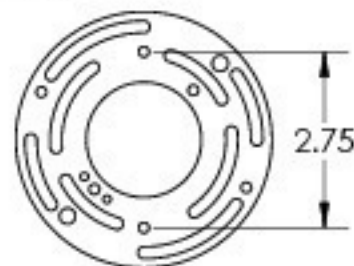
****NOTE****
 DRIVER TO BE INSTALLED IN J-BOX.
 MINIMUM SIZE OF J-BOX REQUIRED IS
 4" L x 4" W x 1.5" H



8/30/2016 (A)

Mounting Packet: U	Weight(lbs.): 5	Electrical Type: LED	CCT: 2700 K
UL Location: DRY	Elec. Qty: 1	Wattage: 5.2	Voltage: 120
Finish: SEE WEB SITE FOR OPTIONS	Source Lumens: Up: N/A	Down: 340	
Top Diffuser: CLOSED	Forward/Reverse Phase Dimmable To 1%		
Bottom Diffuser: FROSTED GLASS	CRI: 90+	Power Factor: >0.9	

Mounting Detail



MOUNTS DIRECTLY TO J-BOX